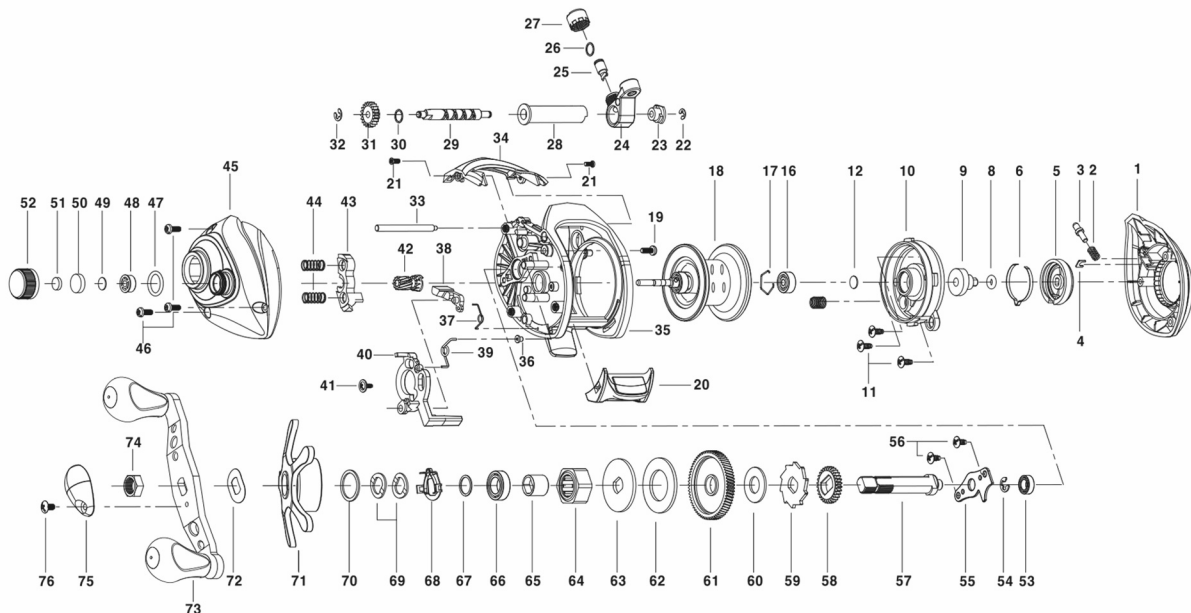


ムサシ オーバーホール作業用資料：リールのメンテは“ムサシオーバーホール”で検索



PART #	Part No.	Part name	PART #	Part No.	Part name	PART #	Part No.	Part name
1	5K021411	PALM SIDE COVER	28	6K456403	PIPE	52	6K259111	NUT
2	6K974401	COIL SPRING	29	6K930302	WORM SHAFT	53	6K256901	BEARING
3	6K974501	LOCK PIN	30	6E096502	WASHER	54	63201402	RETAINER
4	6K930001	PLATE	31	6K469301	WORM PINION	55	6K929901	BEARING PLATE
5	6K974603	CONTROL DIAL	32	6B339801	RETAINER	56	63535902	SCREW
6	6K974701	LEAF SPRING	33	6K930401	PILLAR	57	6K864703	GEAR METAL
8	6K180201	O-RING	34	5K021202	FRONT SUPPORT	58	6K258101	GEAR
9	6K298501	SLIDER CAM-B	35	6K983644	FRAME ASSY	59	6K893602	RATCHET
10	6K984701	SPOOL COVER	36	6K261702	BUSH	60	6K174504	WASHER
11	63535902	SCREW	37	6K983903	SPRING	61	6K258304	DRIVE GEAR
12	6K164605	WASHER	38	6K983801	KICK LEVER	62	6K932401	WASHER
16	6K474501	BALL BEARING	39	6K016201	SPRING	63	6K943103	WASHER-D
17	6K468301	RING	40	6K984201	CLUTCH CAM	64	5K026901	O/WAY CLUTCH ASSY
18	5K023525	SPOOL ASSY (1 BALL BEARING)	41	6K787601	TAP SCREW	65	6K859201	BUSH
19	6K930502	PIN	42	6K869902	PINION	66	6K582201	BALL BEARING
20	6K983206	THUMB BAR	43	6K984801	CLUTCH	67	6K177301	WASHER
21	6K395604	TAP SCREW	44	6K299102	COIL SPRING	68	6K259201	LEAF SPRING ASSY
22	6B339801	RETAINER	45	6K021311	GEAR SIDE COVER	69	5K027201	SPRING WASHER
23	6K456801	BUSH	46	6K311306	SCREW	70	63737810	WASHER
24	6K973603	LEVEL WIND ASSY	47	6K176501	O-RING	71	5K084072	STAR DRAG ASSY
25	6K256501	LEVEL WIND PIN	48	6K176801	BEARING	72	6K161404	LEAF SPRING
26	6K148802	WASHER	49	6K164605	WASHER	73	5K189410	HANDLE ASSY
27	6K704403	NUT	50	6K176903	COLLAR	74	6K178310	NUT
			51	6K177001	WASHER	75	6K311007	H/NUT CAP
						76	63511805	SCREW