

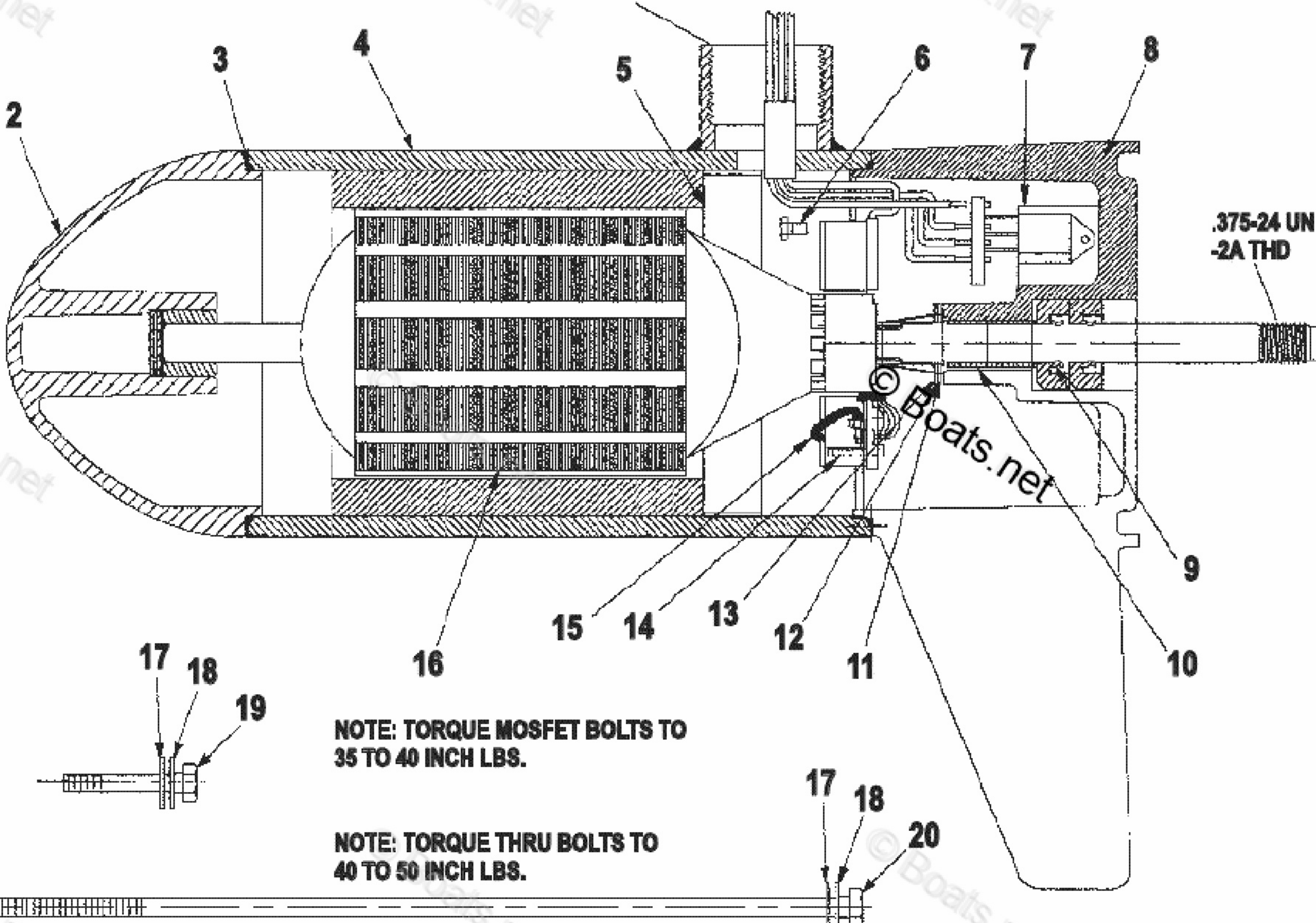
© Boats.net

© Boats.net

© Boats.net

1-20 UNEF x .750 DEEP

.375-24 UNF
-2A THD



**NOTE: TORQUE MOSFET BOLTS TO
35 TO 40 INCH LBS.**

**NOTE: TORQUE THRU BOLTS TO
40 TO 50 INCH LBS.**

**DIRECTION OF ROTATION IS COUNTER CLOCKWISE WHEN VIEWED
FROM PROPELLER END WITH RED POSITIVE & BLACK NEGATIVE.**

1025